



# floorsense

Making Sense of Workspace Utilisation

## Module Key Features

Silently monitoring workspace utilisation and reporting back to a realtime client web dashboard - floorsense delivers powerful analytics on space utilisation to facilities managers and workspace planners.

- Unobtrusive underdesk wireless sensor
- Ultra low power consumption - runs from 5V USB charger (supplied) or alternatively from floorsight module.
- High performance self-healing mesh network using Smart Building IOT radio frequencies (doesn't conflict with existing WIFI networks)
- Simple installation using screwdriver and Android commissioning App
- Suits new fit-outs or in-situ retrofits of existing offices
- Reliable operation and minimal false positives via intelligent detection algorithm
- Low cost all inclusive pricing - No IT project required
- Combine with floorsight top-of-desk module for a complete desk reservations and utilisation tracking solution

## Product Specifications

### Performance:

Angle of Detection:	42° x 180°
Maximum Range (Direct line of sight):	3m (9ft)
Operating Volatage:	4.5 - 8V

### Environmental

Operating Temperature Range:	5 - 40°C
Storage Temperature Range:	-15 - 70°C
Humidity:	0 to 95% relative humidity, (non-condensing)
ESD:	±15kV Air and ±8kV Contact

Environmental Sealing:	IP32 standards for moisture and particle intrusion
Drop:	Withstands multiple 1 m (3 ft) drops to concrete

### Connectivity Options

Backhaul Wireless Network:	915MHz or 2.4GHz Thread (6LoWPAN, IPv6)
Management Network:	LAN Connection to Thread IPv6 network provided by floorsense controller/gateway (sold seperately). 1 controller required per 250 floorsense devices

Physical*:	3.5mm Stereo
------------	--------------

### Power Options

Battery:	7.4V 500mAh Lithium Polymer Battery
Typical Battery Life:	24 months minimum operation between charging
Mains*:	5V DC

Ordering Information:	FSNSE-M-915-V2
-----------------------	----------------

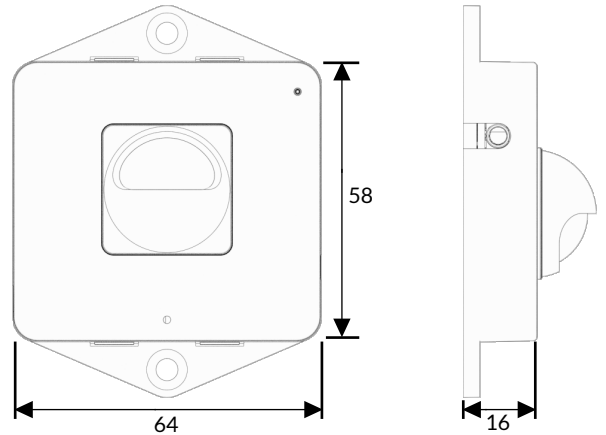
\*When coupled with floorsight desk reservation system, low voltage power to floorsense module is provided via the 3.5mm stereo cable so no external power connection is required.

## Warranty

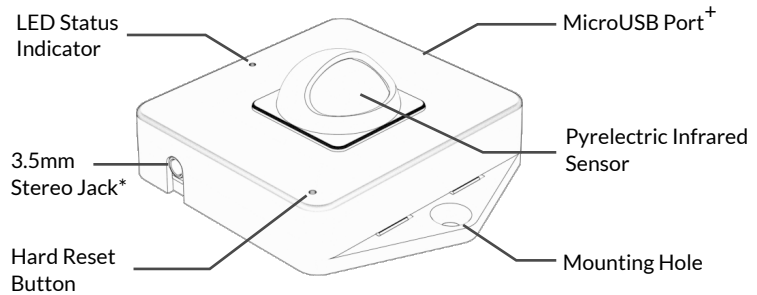
Floorsense systems come with a 24 month warranty.



## Physical Dimensions (mm)

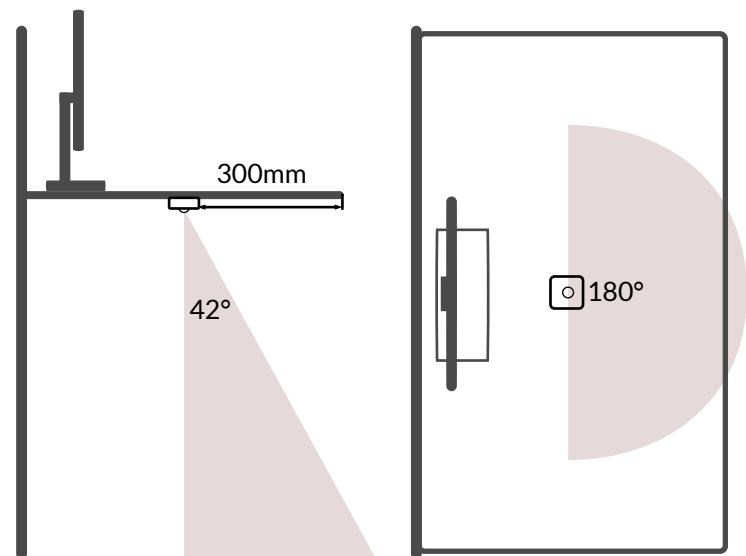


## Physical Details



\* Only used for coupling with floorsight desk reservation systems  
+ Used to provide power for standalone floorsense systems

## Sensor Detection Detail



The range of detection is directly proportional to the height of the desk. For a desk equipped with adjustable height, the recommended distance from the front edge of the desk to the front of the module is 300mm. See Floorsen.se/support for more information.

Reseller Contract